

HPM1 equivalent
SKD61
DC53 S45C

SPRUE BUSHINGS


P3.5 SR11

NORMAL BOLT TYPE • FIXED SIZE — BOLT FIXING TYPE / FLANGED TYPE —

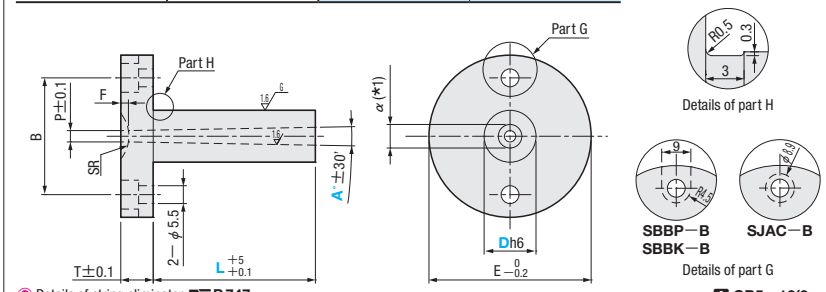
Non JIS material definition is listed on P.1351 - 1352

This product is a standardized version of the most commonly designated size among the free designation types described on P.751. Use after L dimension finishing.

Bolt Fixing Type




Part Number		M	H
Normal	String eliminator type		
SBBP-B	SBBPH-B	HPM1 equivalent	37~43HRC
SBBK-B	SBBKH-B	SKD61	48~52HRC
SBBS-B	SBBSH-B	DC53	58~62HRC
SJAC-B	-	S45C	-



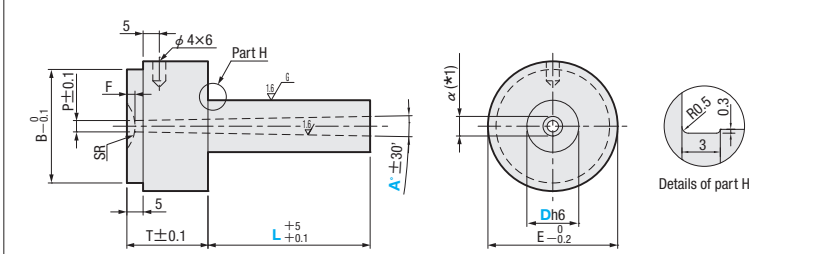
Details of string eliminator. P.747

CB5-12(2pcs.)

Flanged Type



TYPE	M	H
SJBC-B	S45C	-



Details of part H

Order **Part Number** - **L** - **A**
SBBP-B10 - 40 - A3

Days to Ship **Quotation**

Price **Quotation**

T	E	B	F	SR	P	Dh6	Part Number		L	A°						
							Normal	String eliminator type								
10	40	30	3	11	3.5	10	0 -0.009	(HPM1 equivalent) SBBP-B	SBBPH-B	10	30	40	50	60	80	2
								(SKD61) SBBK-B	SBBKH-B		30	40	50	60	3	
						(DC53) SBBS-B	SBBSH-B	13	30	40	50	60	80	2	3	
	35	25	2.5			13	0	16	-0.011	(S45C) SJAC-B	-	13	100	2	3	
													16	100	2	3
						50	36	13	0	-0.011	(S45C) SJBC-B	-	13	100	2	3
30	40	35	3													

* 1 (Calculation of α value) $\alpha = P + 2(L + T - F) \tan \frac{A}{2}$ Please adjust the length before using.