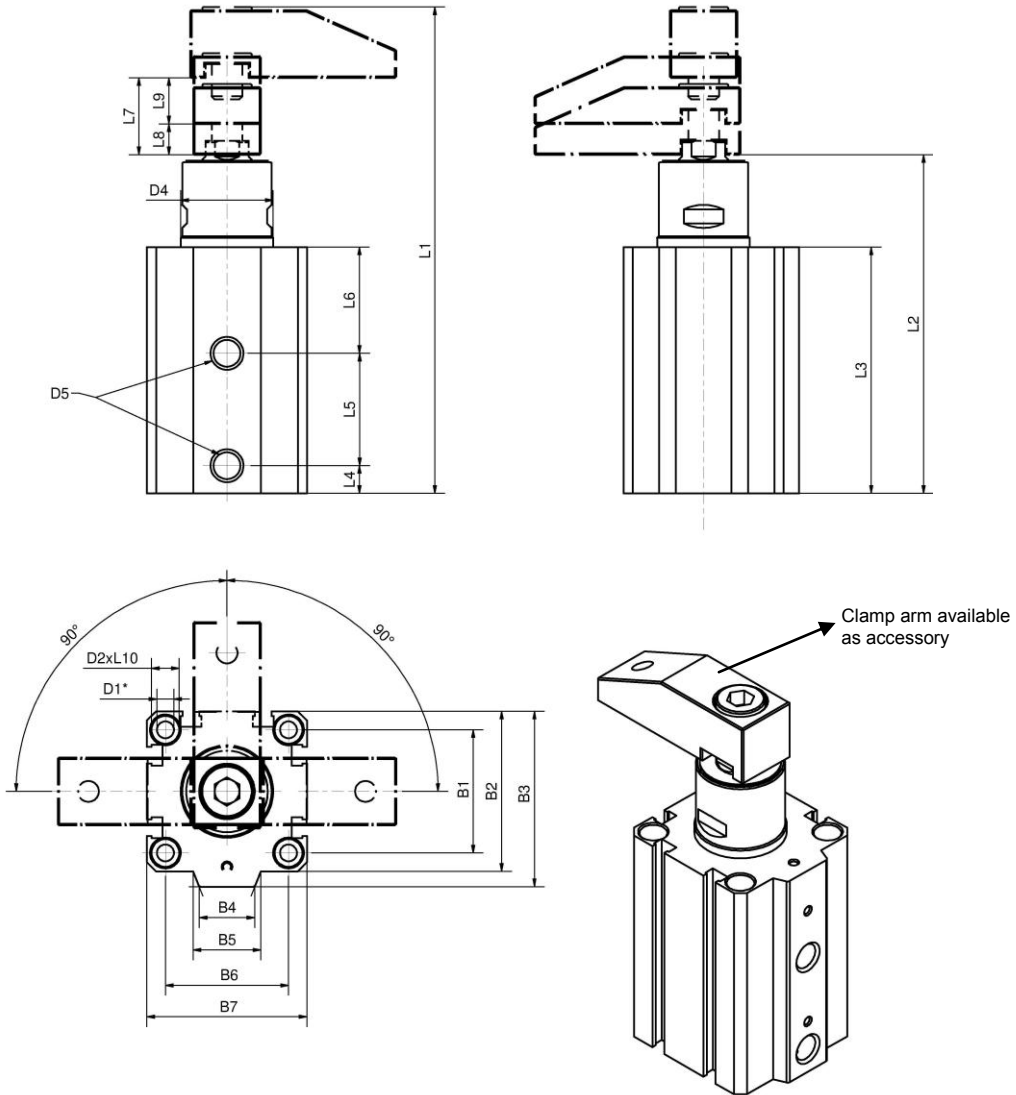


Swing Clamp

small block construction, with magnetic piston, 90° swivel range

SCQ...



Ordering example:

SCQ 32 S R

SCQ: Type
 32: Piston Ø
 S: Long stroke
 (TS = short stroke)
 R: Swivelling right
 (L = swivelling left)

Accessories:
 Clamp arms PSQS...

Tolerance for dowel holes ± 0.02, for threaded holes ± 0.1.
 Medium: Air, max. 6 bar, operation permitted with oil-free air.

Attention!
 External throttle check valves must be provided on assembly. They are not included in the scope of delivery!

Option:

Proximity switches AFS T03 (2 pc, order no. 368428) must be ordered separately. They are not included in the scope of delivery!

Type	Total stroke (mm)	Piston Ø (mm)	Weight (kg)	Force (F) (kN)	B1	B2	B3	B4	B5	B6	B7
SCQ 25 S	29,5	25	0,374	0,2	28	40	45	10	12,5	28	40
SCQ 25 TS	19,5	25	0,326	0,2	28	40	45	10	12,5	28	40
SCQ 32 S	35	32	0,608	0,325	34	45	49,5	14,5	16,5	34	45
SCQ 32 TS	25	32	0,537	0,325	34	45	49,5	14,5	16,5	34	45
SCQ 40 S	35	40	0,680	0,636	40	52	57	18	22	40	52
SCQ 40 TS	25	40	0,680	0,636	40	52	57	18	22	40	52
SCQ 50 S	69	50	1,410	0,992	50	64	71	20	23	50	64
SCQ 50 TS	39	50	1,160	0,992	50	64	71	20	23	50	64

Type	D1*	D2	D4	D5	L1	L2	L3	L4	L5	L6	L7	L8	L9	L10
SCQ 25 S	Ø5,5	Ø9	Ø23	M5	157,2	110,4	83	6,5	49,5	27	29,5	20	9,5	9
SCQ 25 TS	Ø5,5	Ø8,5	Ø23	M5	127,2	90,4	73	6,5	39,5	27	19,5	10	9,5	9
SCQ 32 S	Ø5,4	Ø9	Ø30	G1/8	187	129	90	9	46,5	34,5	35	20	15	9
SCQ 32 TS	Ø5,4	Ø9	Ø30	G1/8	157	109	80	9	36,5	34,5	25	10	15	9
SCQ 40 S	Ø5,5	Ø9	Ø30	G1/8	188	130	90	9	46,5	34,5	25	20	15	9
SCQ 40 TS	Ø5,5	Ø9	Ø30	G1/8	158	110	80	9	36,5	34,5	35	10	15	9
SCQ 50 S	Ø6,6	Ø11	Ø37	G1/4	298,6	207,6	131,5	11	81,5	39	69	50	19	13
SCQ 50 TS	Ø6,6	Ø11	Ø37	G1/4	208,6	147,6	101,5	11	51,5	39	39	20	19	13