
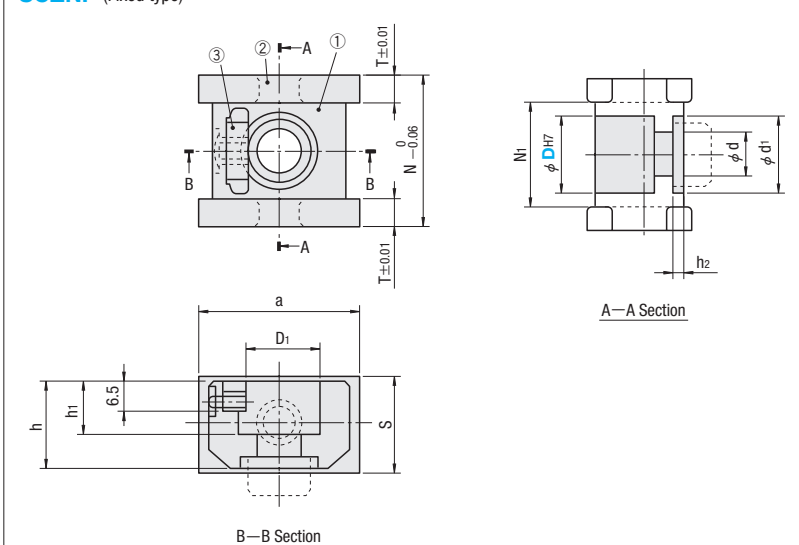


OIL-FREE SLIDE INCLINED PIN HOLDERS FOR LOOSE CORE

—FIXED TYPE / ADJUSTING TYPE—

Ⓜ Non JIS material definition is listed on P.1351 - 1352


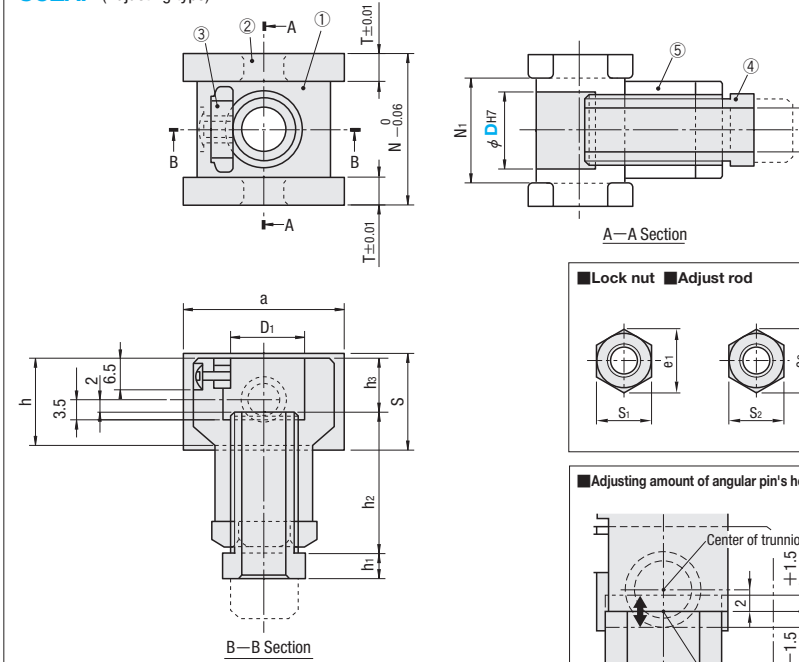
RoHS **SCZNP** (Fixed type)

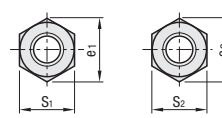
Item	Components	Parts Name	M	Piece
①	Inclined pin holder	Inclined Pin Holder	SCM440	1
②	Slide plate	Slide Plate	* CAC304+Solid lubricant	2
③	Key	Key	S45C	1

* Grade-4 high strength brass (Old JIS: HBsC4)

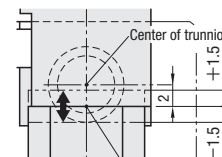
RoHS **SCZAP** (Adjusting type)

■ Lock nut ■ Adjust rod



■ Adjusting amount of angular pin's height



Item	Components	Parts Name	M	Piece
①	Inclined pin holder	Inclined Pin Holder	SCM440	1
②	Slide plate	Slide Plate	* CAC304+Solid lubricant	2
③	Key	Key	S45C	1
④	Adjust rod	Adjust Rod	S45C	1
⑤	Lock nut	Lock Nut	S45C	1

* Grade-4 high strength brass (Old JIS: HBsC4)

Fixed type

Part Number	① Inclined pin holder									② Slide plate			U/Price
	Common with SCZN					② Inclined pin holder				Common with SCZN ③ Slide plate			
Type	D	D1	d	d1	h	h1	h2	N	N1	S	a	T	
SCZNP	12	11	5.5	—	16	10	—	30	17	20	35	6.5	
	16	15	9	16	18	11	3	33	20	20	40	6.5	
	20	18	11	20	22	13	5.5	38	25	24	40	6.5	
	25	22	11	20	26	15	5.5	45	31	26	45	7	
	30	27.5	11	20	30	17	3.5	51	36	30	55	7.5	

Ⓜ SCZNP is on sale by set of both components of SCZN i.e. ② inclined pin holder and ③ slide plate.

Adjusting Type

Part Number	① Inclined pin holder									② Slide plate			⑤ Lock nut		④ Adjust rod		U/Price
	Common with SCZA					② Inclined pin holder				Common with SCZA ③ Slide plate			Common with SCZA ⑥ Lock nut		Common with SCZA ⑤ Adjust rod		
Type	D	D1	d	h	h1	h2	h3	N	N1	S	a	T	S1	e1	S2	e2	
SCZAP	12	11	5.5	16	6	33	10	30	17	20	35	6.5	17	19.6	12	13.9	
	16	15	9	18	6	33	11	33	20	20	40	6.5	21	24.2	16	18.5	
	20	18	11	22	6	36	13	38	25	24	40	6.5	24	27.7	19	21.9	
	25	22	11	26	6	39	15	45	31	26	45	7	24	27.7	19	21.9	
	30	27.5	11	30	6	41	17	51	36	30	55	7.5	24	27.7	19	21.9	

Ⓜ SCZAP is on sale by set of the four components of SCZA i.e. ② angular pin holder, ③ slide plate, ⑤ adjust rod and ⑥ lock nut.



Order

Part Number
SCZNP 12
SCZAP 20



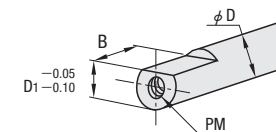
Days to Ship

Quotation

Characteristics

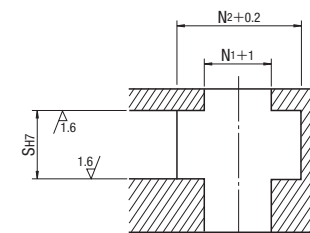
- Guide parts of SCZN and SCZA series.
- Please refer to SCZN and SCZA series **P.659 - 661** when the slide base is necessary.
- Space is reduced to process the slide base on mold's body.
- The neck sliding structure of inclined pin holder enables the automatic center adjustment function, which reduces abrasion and scoring on the guide and slide plates.

Applicable inclined pin : Example of mounting dimension

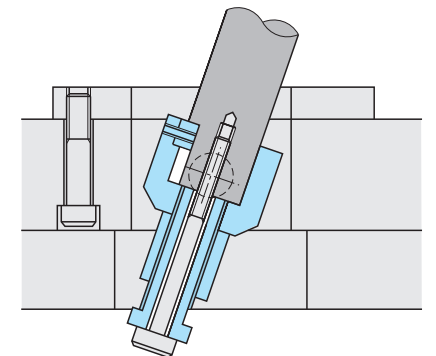


D	D1	B	PM
12	11	13	M5
16	15	14	M8
20	18	16	M10
25	22	18	M10
30	27.5	20	M10

Other groove dimension (Reference value)



Example



Slide Cores
Loose Cores