
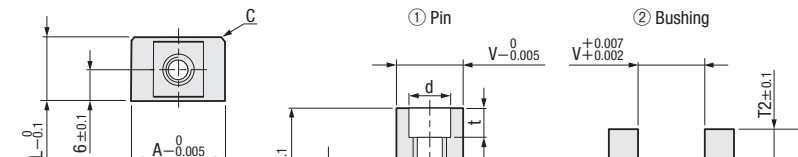


# STRAIGHT BLOCK SETS

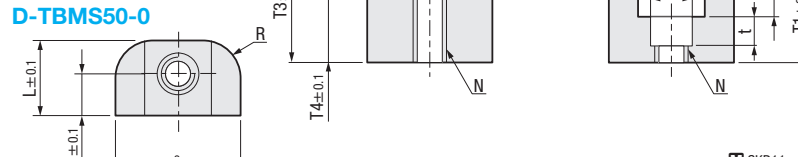
— PL SIDE FIXING TYPE —




**D-TBMS50-02**



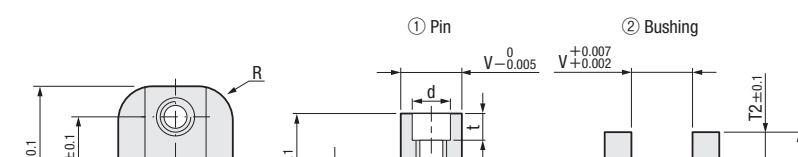
**D-TBMS50-0**



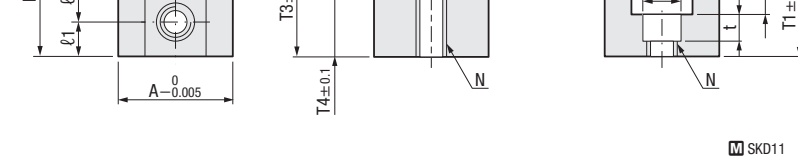
SKD11  
54~58HRC




**D-TBMS50-05**



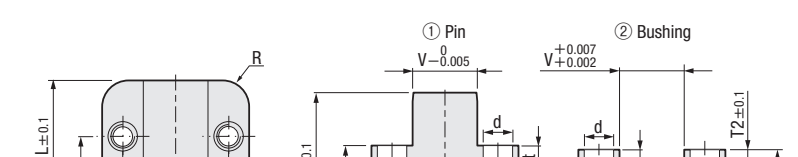
**D-TBMS50-1**



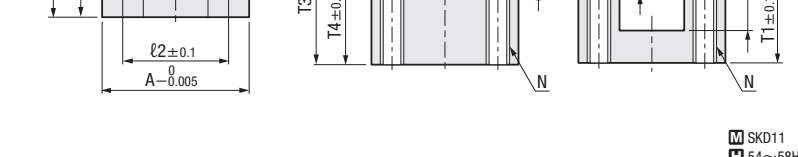
SKD11  
54~58HRC



**D-TBMS50-2**



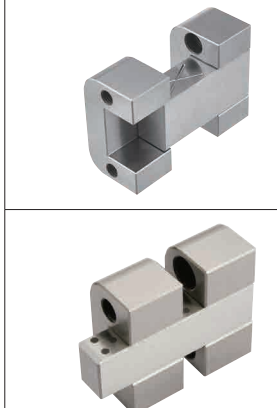
**D-TBMS50-3**



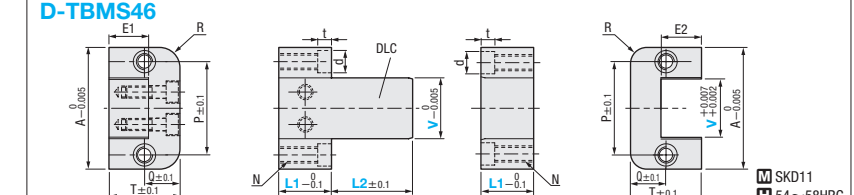
SKD11  
54~58HRC

T1	T2	T3	T4	Corner R(C)	Installation bolt hole				Installation bolts	Dismounting tap hole N	V	L	A	Part No.	
					ℓ1	ℓ2	d	t						Type	No.
16	6	15.8	10	C0.5	-	-	7.5	5	M4	M5	9	12	16	D-TBMS50	02
				R5	5.5	11	22	05							
26	14.8	30	15.5	R8	-	-	11	7	M6	M8	16	18	30		0
29.8	20	48.8	29.8		8	22									35
39.8	25	63.8	39.8		19	52								15	9
															3

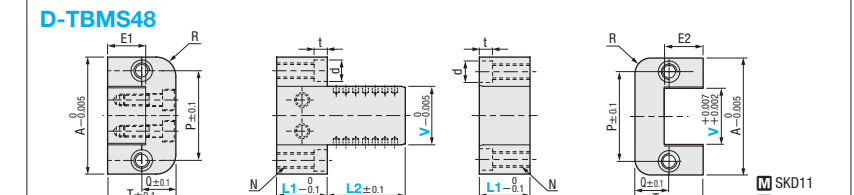
Order **Part No.**  
**D-TBMS50-0**



**D-TBMS46**




**D-TBMS48**

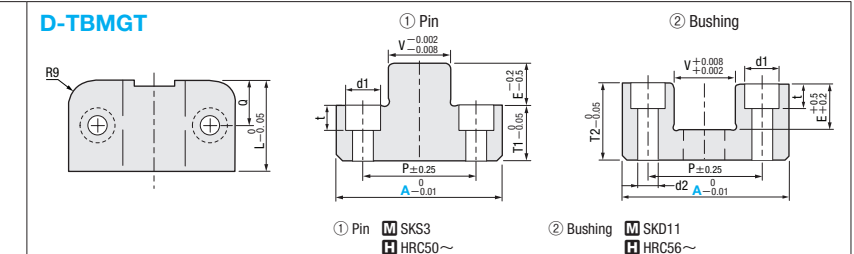


SKD11  
54~58HRC

E1	E2	R	Installation bolt hole				Installation bolts	Dismounting tap hole N	T	A	Part No.				
			P	Q	d	t					Type	V	L1	L2	
11.5	12	8	30	11	11	7	M6	M8	22	45	D-TBMS46	D-TBMS48	16	20	20
													30	26	40
													48	36	50
77	56	100													
25.5	26	12.5	74	23	18	11	M10	M12	46	100			32	63	80
35.5	36	16	114	30	20	13	M12	M16	60	150			50	71	100




**D-TBMGT**



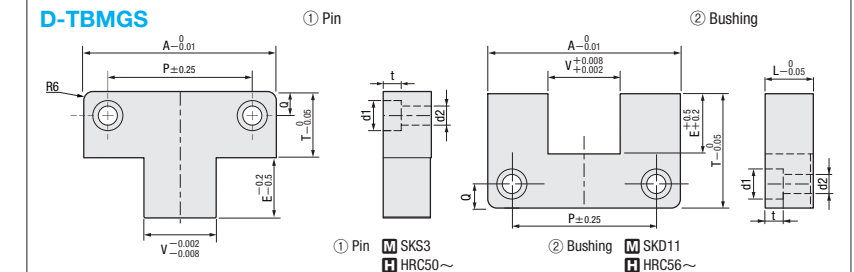
① Pin SKS3  
HRC50~  
S Surface Treatment Fe<sub>2</sub>O<sub>3</sub>

② Bushing SKD11  
HRC56~  
S Surface Treatment Titanium Plating

T1	T2	Installation bolt hole					Installation bolts		V	E	L	Part No.	
		P	Q	d1	d2	t	PIN	BUSHING				Type	A
15	25	23	13	10	5.3	5.5	M5×18	M5×30	11	16	26	D-TBMGT	35
		30	15	11	6.4	6.5	M6×18	M6×30	15	30	45		
		30	37.5	18	15	8.4	9	M8×25	M8×35	20	20		36
20	35	52	18	10.5	11	M10×25	M10×40	30	26	36	75		
		60	70	22.5	18	10.5	11	M10×25	M10×65	40	41	45	100



**D-TBMGS**



① Pin SKS3  
HRC50~  
S Surface Treatment Fe<sub>2</sub>O<sub>3</sub>

② Bushing SKD11  
HRC56~  
S Surface Treatment Titanium Plating

T1	Installation bolt hole					Installation bolts	V	E	L	Part No.	
	P	Q	d1	d2	t					Type	A
21.5	34	11	11	7	7.5	M6×20	17	12	16	D-TBMGS	50
36	50	18	18	11	11.5	M10×25	25	17	19		75
	70	84									100
45	70	22	18	11	11.5	M10×30	35	23	25		125

Order **Part No.** - V - L1 - L2  
D-TBMS46 - 16 - 20 - 20  
D-TBMGT35