

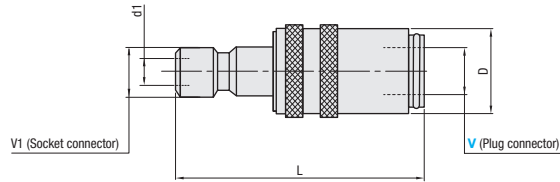
ADAPTER SOCKETS / SEALING TAPES

—LONG TYPE—

Adapter coupling



Type	Valve	max. C
D-F100-CA	●	100
D-F100-CAT	—	100



C3604

D	L	d1	V1	Part No.	
				Type	V
17	41	6	9.4	D-F100-CA	9
22	52	9	13.5	D-F100-CAT	13

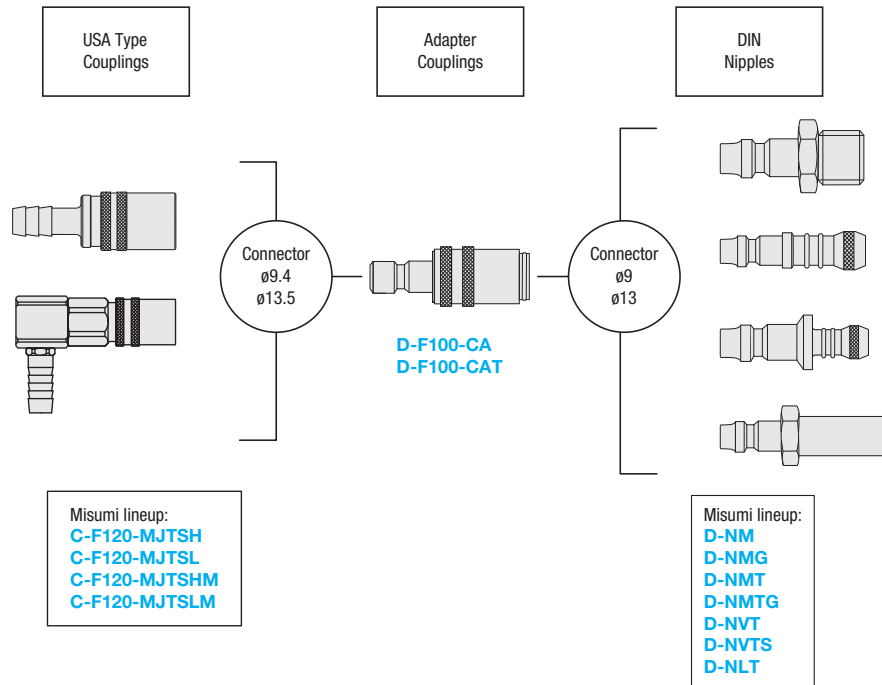


Order Part No. **D-F100-CA9**

Use in atmospheric pressure 2,500 Kpa (25.49 kgf/cm²) or lower.



Example



JST8-5 (Sealing Tape) JST13-15



Fluorocarbon resin (PTFE)

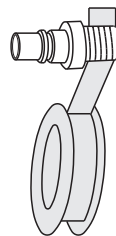
Heat resistance temperature	W (width)	L (length) (meter)	t (thickness)	Part No.
	260°C	8mm 13mm	5m 15m	



Order Part No. **JST8-5**



Example



JST8-5 is narrow and prevents from cutting protrusion when winding around screw plugs and such.

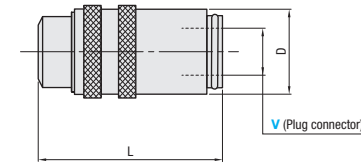
BLANK-OFF SOCKETS / THREAD ADAPTERS

—BLANK-OFF COUPLING—

Blank-off coupling



D-F100-CST



C3604 Usable temperature up to 100 °C

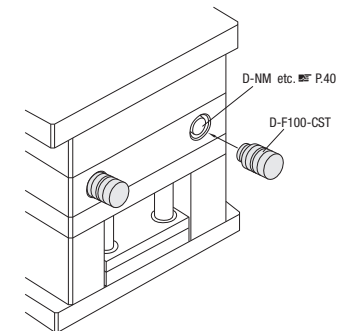
D	L	Part No.	
		Type	V
17	34	D-F100-CST	9
22	40		13
31	58		19



Order Part No. **D-F100-CST9**

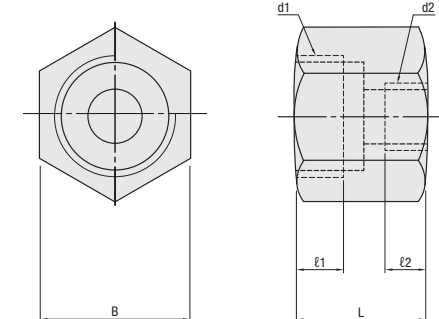


Example



Thread Adapter

D-MGA



C3604

B	L	l1	l2	d1	d2	Part No.	
						Type	No.
27	24	12	10	G1/2	M14×1.5	D-MGA	1
					M16×1.5		2
32	28	16	10	G3/4	M14×1.5		3
					M16×1.5		4
17	26	—	26	G1/4	G1/4		5



Order Part No. **D-MGA2**



Example

