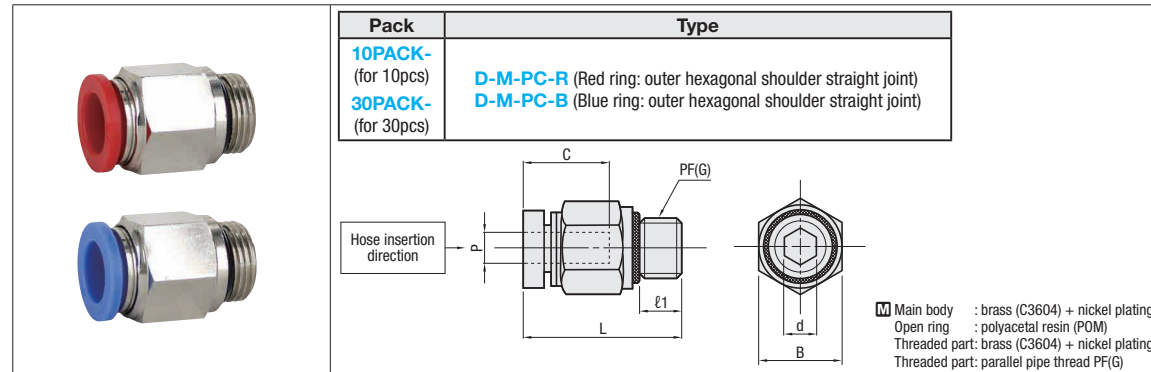
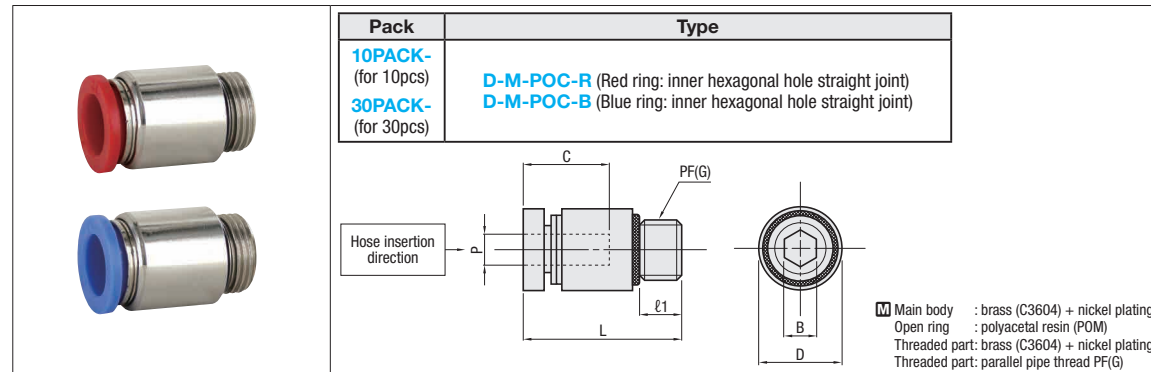


# QUICK-FITTING JOINTS

—STRAIGHT TYPE—



Matching tubes		Tube inserting hole		Part No.						
Ext. dia. × Int. dia.	Hole diameter P	Depth C	d	L	B	l1	PF(G)	Pack	Type	No.
8×6	8	18	5	26	14	5.5	1/8	10PACK 30PACK	D-M-PC-R (Ring Color: Red) D-M-PC-B (Ring Color: Blue)	8-01
8×6	8	18	6	23	14	6.5	1/4			8-02
8×6	8	18	6	24	16	7.5	3/8			8-03
10×8	10	20.3	5	28.5	17	5.5	1/8			10-01
10×8	10	20.3	6	29.5	17	6.5	1/4			10-02
10×8	10	20.3	8	26	17	7.5	3/8			10-03
12×9	12	22.7	6	31.5	20	6.5	1/4			12-02
12×9	12	22.7	8	32.5	20	7.5	3/8			12-03



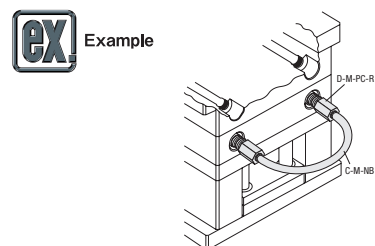
Matching tubes		Tube inserting hole		Part No.						
Ext. dia. × Int. dia.	Hole diameter P	Depth C	D	L	B	l1	PF(G)	Pack	Type	No.
8×6	8	18	14	26	5	5.5	1/8	10PACK 30PACK	D-M-POC-R (Ring Color: Red) D-M-POC-B (Ring Color: Blue)	8-01
8×6	8	18	14	23	6	6.5	1/4			8-02
8×6	8	18	14	24	6	7.5	3/8			8-03
10×8	10	20.3	17	29.5	6	6.5	1/4			10-02
10×8	10	20.3	17	26	8	7.5	3/8			10-03
12×9	12	22.7	20	32.8	8	7.5	3/8			12-03

Order  Part No.

Pack — Type — No.

(for 10pcs) 10PACK — D-M-PC-R — 10-02

(for 30pcs) 30PACK — D-M-PC-B — 8-03

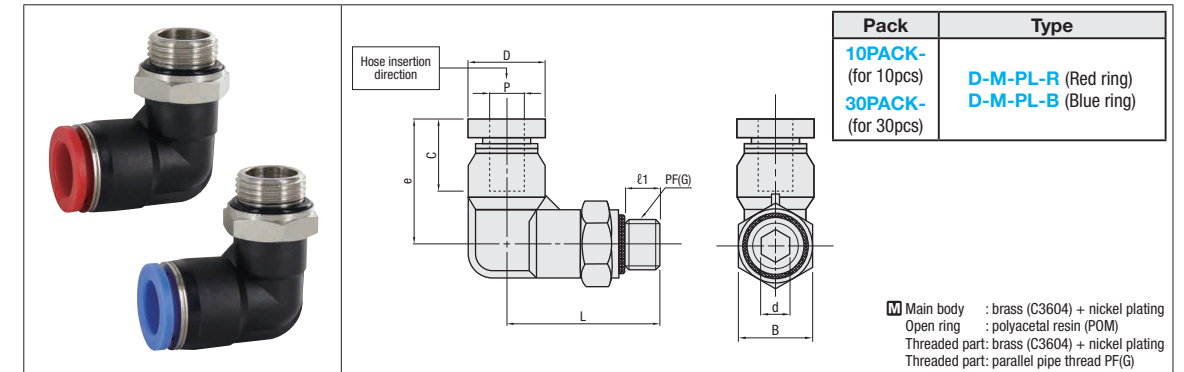


### Notes on handling

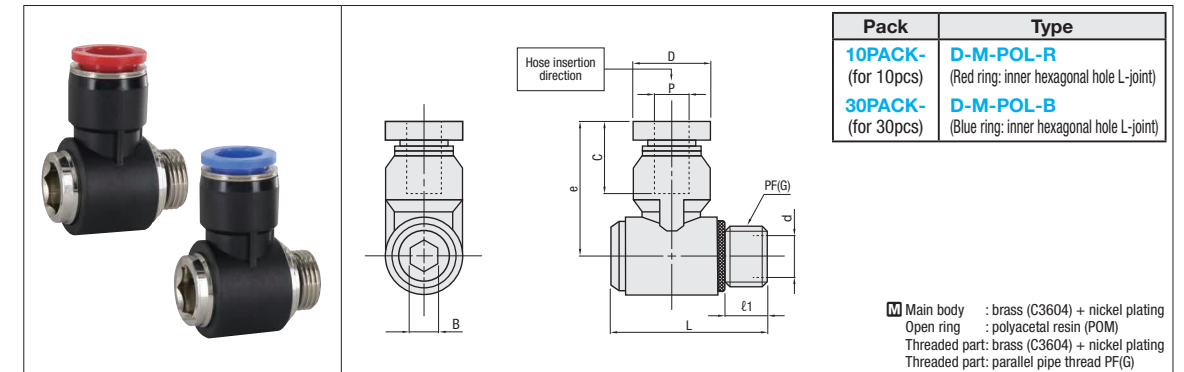
- Hot water tube is suitable for cooling water and cooling air.
- When inserting the tube into the quick-fitting joint for the cooling water of the mold, cut the ends of the tube vertically before using it. Note that the tube is likely to fall off and leak if the ends are cut obliquely.
- Since the destructive pressure will decrease as the hot water tube rises with the temperature, confirm the destructive pressure value of the above table when using it at high temperature.
- When reinstalling the tube to the tightening joint, cut off the installed part before installing. Otherwise, the tube is likely to fall off and leak.

# QUICK-FITTING JOINTS

—L SHAPED TYPE—



Matching tubes		Tube inserting hole		Part No.								
Ext. dia. × Int. dia.	Hole diameter P	Depth C	d	D	L	e	B	l1	PF(G)	Pack	Type	No.
8×6	8	18.8	6.2	14.5	24.5	23	14	5.5	1/8	10PACK 30PACK	D-M-PL-R (Ring Color: Red) D-M-PL-B (Ring Color: Blue)	8-01
8×6	8	18.8	9	14.5	25.5	23	17	6.5	1/4			8-02
8×6	8	18.8	11.8	14.5	27.5	23	20	7.5	3/8			8-03
10×8	10	20.2	6.2	18.5	26.5	27	17	5.5	1/8			10-01
10×8	10	20.2	9	18.5	27.5	27	17	6.5	1/4			10-02
10×8	10	20.2	11.8	18.5	29.5	27	20	7.5	3/8			10-03
12×9	12	22.9	9	21	28	29.5	17	6.5	1/4			12-02
12×9	12	22.9	11.8	21	30	29.5	20	7.5	3/8			12-03



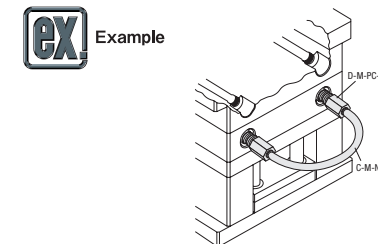
Matching tubes		Tube inserting hole		Part No.								
Ext. dia. × Int. dia.	Hole diameter P	Depth C	d	D	L	e	B	l1	PF(G)	Pack	Type	No.
8×4	8	18.3	9	14.5	27	27	8	6.5	1/4	10PACK 30PACK	D-M-POL-R (Ring Color: Red) D-M-POL-B (Ring Color: Blue)	8-02
8×4	8	18.3	11.8	14.5	28	27.3	8	7.5	3/8			8-03
10×8	10	20.2	9	18.4	31	31	10	6.5	1/4			10-02
10×8	10	20.2	11.8	18.4	32	31	10	7.5	3/8			10-03
12×9	12	22.9	11.8	21	36	36.5	12	7.5	3/8			12-03

Order  Part No.

Pack — Type — No.

(for 10pcs) 10PACK — D-M-PL-R — 8-03

(for 30pcs) 30PACK — D-M-POL-B — 12-03



### Notes on handling

- Hot water tube is suitable for cooling water and cooling air.
- When inserting the tube into the quick-fitting joint for the cooling water of the mold, cut the ends of the tube vertically before using it. Note that the tube is likely to fall off and leak if the ends are cut obliquely.
- Since the destructive pressure will decrease as the hot water tube rises with the temperature, confirm the destructive pressure value of the above table when using it at high temperature.
- When reinstalling the tube to the tightening joint, cut off the installed part before installing. Otherwise, the tube is likely to fall off and leak.