
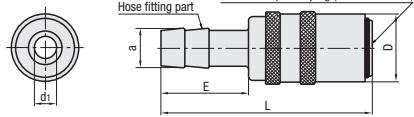


GERMANY STANDARD COUPLERS

—SOCKETS-PLUGS—




For hose installation
C-F120-MZSHM
 (Heat resistance 120°C • without self-sealing valve)
C-F120-MZSH
 (Heat resistance 120°C • without self-sealing valve)



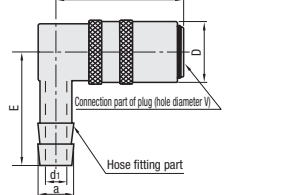
M Brass

Applicable plug	Connection part of plug		L	Inner hole d1	Hose fitting part		Part No.	
	V	D			a	E	Type	No.
Couplers for cooling-water - front end diameter V=13.5	13.5	22	62	9	14	25	For hose installation C-F120-MZSHM	4
Couplers for cooling-water - front end diameter V=9	9	17	53	6	10	22	For hose installation C-F120-MZSH	3

⚠ C-F120-MZSHM, C-F120-MZSH do not have valve. Please confirm water temperature and pressure before detachment.




For hose installation - L type
C-F120-MZSHLM
 (Heat resistance 120°C • without self-sealing valve)
C-F120-MZSHL
 (Heat resistance 120°C • without self-sealing valve)



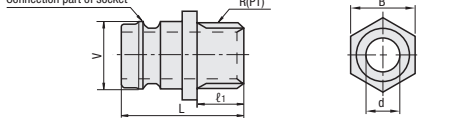
M Brass

Applicable plug	Connection part of plug		L (reference)	Inner hole d1	Hose fitting part		Part No.	
	V	D			a	E (reference)	Type	No.
Couplers for cooling-water - front end diameter V=13.5	13.5	22	(44)	9	14	(38)	For hose installation - L type C-F120-MZSHLM	4
Couplers for cooling-water - front end diameter V=9	9	17	(36)	6	10	(32)	For hose installation - L type C-F120-MZSHL	3

⚠ C-F120-MZSHLM, C-F120-MZSHL do not have valve. Please confirm water temperature and pressure before detachment.




C-JPZHM
C-JPZH

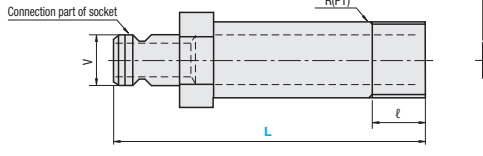


M Brass

Applicable socket	Connection part of socket V	L	B	Inner hole d	Taper external thread R(PT)	ℓ1	Part No.	
							Type	No.
Couplers for cooling-water series - socket hole diameter V=13.5	13.5	26	15	6	1/8	9	C-JPZHM	1
								2
								3
Couplers for cooling-water series - socket hole diameter V=9	9	24	11	6	1/8	7	C-JPZH	1
								2
								3



C-LJPZHM
 (outer hexagonal shoulder long type)
C-LJPZH
 (outer hexagonal shoulder long type)



M Brass


Applicable socket	Connection part of socket V	B	Inner hole d	Taper external thread R(PT)	ℓ	Part No.		
						Type	No.	L
Couplers for cooling-water series - socket hole diameter V=13.5	13.5	15	6	1/8	10	C-LJPZHM	1	50 100
							2	50 100
							3	100
Couplers for cooling-water series - socket hole diameter V=9	9	11	6	1/8	10	C-LJPZH	1	50 100
							2	50 100
							3	100

Order Part No. — L
C-F120-MZSHM 4
C-JPZHM 2
C-LJPZHM 2 — 100

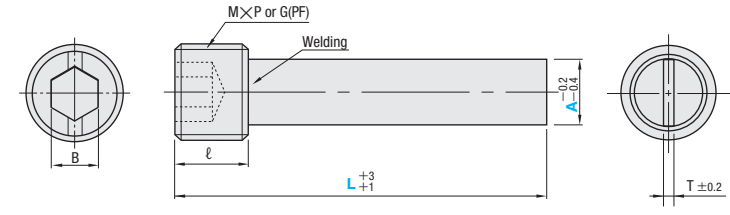
BAFFLE BOARDS

—PARALLEL THREAD PLUG TYPE / O-RING SEAL TYPE—

■ Parallel thread plug type



D-BFPF (Metric thread)
D-BFPFG (Parallel pipe thread)



M C3604

■ Metric thread type

ℓ	B	M×P	T	Part No.		L	
				Type	A		
8	4	M8×0.75	1.5	D-BFPF	6	100	200
					8	125	250
					10	150	300
10	7	M14×1.5	2.0	D-BFPF	12		
					14		

⚠ Make the water hole diameter to which D-BFPF is fitted at least 0.5~1mm-larger than A. ⚠ Discoloration may occur at the welding position.


■ Parallel pipe thread type

ℓ	B	G(PF)	T	Part No.		L	
				Type	A		
8	5	G1/8	1.5	D-BFPFG	8.5	100	200
					11.5	125	250
10	7	G1/4	2.0	D-BFPFG	15	150	300

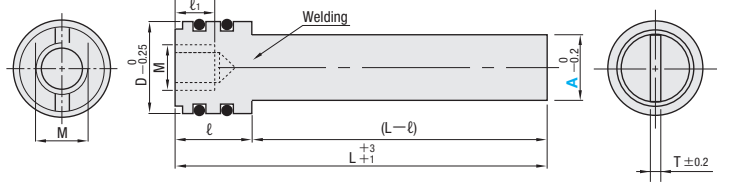
⚠ Make the water hole diameter to which D-BFPFG is fitted at least 0.5~1mm-larger than A.

Order Part No. — L
D-BFPF8 — 200
D-BFPFG11.5 — 250

■ O-Ring seal type



D-BFPM



M C3604
 O-ring: Fluoric rubber

D	(L-ℓ)	L	ℓ	ℓ1	M	T	Part No.	
							Type	A
11.9	180	193	13	10	M6	1.5	D-BFPM	8
								10
								12
15.8	250	266	16	11.5	M8	2.0	D-BFPM	15

⚠ Make the water hole diameter to which D-BFPM is fitted at least 0.5~1mm-larger than A. ⚠ Discoloration may occur at the welding position.

Order Part No.
D-BFPM10