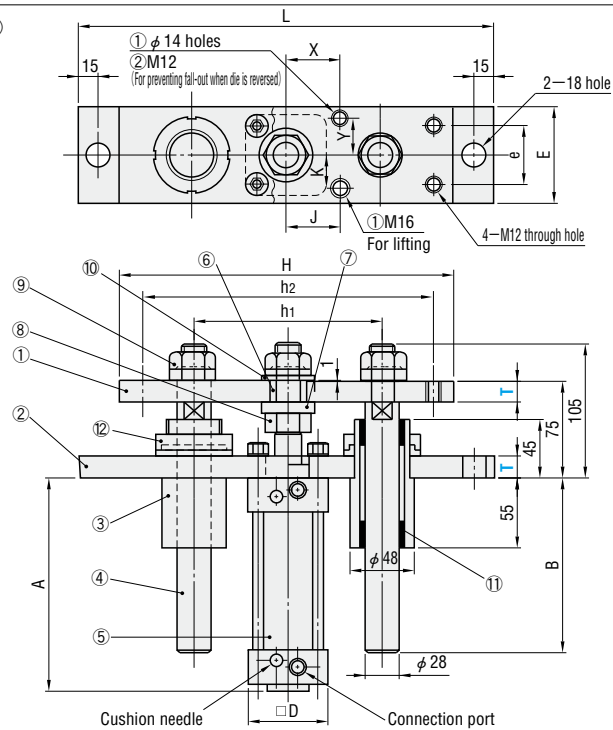


LIFTER UNITS

RoHS

LTH (Standard size)

CLTH (Compact size)



No.	Parts list	M	Quantity	Remarks
①	Lifter plate	SS400	1	
②	Base plate	SS400	1	
③	Guide holder	STKM13A	2	
④	Guide pin	S45C	2	55~60HRC
⑤	Air cylinder		1	For detailed specifications, refer to table at right.
⑥	Collar	STKM13A	1	
⑦	Spacer	SS400	1	
⑧	Hexagon nut	SS400	1	M20×P2.5
⑨	Hard lock nut	SS400	3	M20×P2.5
⑩	Flat washer	SS400	1	For M20
⑪	Oil-free bushing	PTFE resin with filler	4	
⑫	Hard lock nut		2	HLB-08 M40×P1.5

Air cylinder (5) specifications

(5) Air cylinder	SMC
Cylinder tube inner diameter	φ 40 φ 63
Catalog No.	MB
Operating method	Double acting single rod
Guaranteed pressure resistance	1.5MPa (15.3kgf/cm ²)
Maximum operating pressure	1.0MPa (10.2kgf/cm ²)
Minimum operating pressure	0.05MPa (0.5kgf/cm ²)
Ambient temperature and air temperature during use	-10~70℃
Piston speed	50~1000mm/s
Stroke length tolerance	+1.0 0
Cushion	Both sides (air cushion)
Connection port diameter	φ 40: Rc (PT) 1/4 φ 63: Rc (PT) 3/8
Mounting type	Basic

Selection method

- Using the table at right, select an appropriate cylinder inner diameter based on the required lift-up force.
- Select the stroke and thickness of each plate according to the conditions of use.

Lifter unit's lift up force (N)

Cylinder inner diameter	Max. operating pressure (MPa)				
	0.2	0.3	0.4	0.5	0.6
φ 40	126	189	252	315	377
φ 63	312	468	624	780	935

The above values are calculated assuming an air cylinder load factor of 0.5.
Load (kgf)=Load (N)×0.101972

Features

- An effective means of lifting up panels and other materials while they are horizontal.
- Two types are available: the standard size and compact size (dimensions L and H are shortened by 35~40mm).

H	h ₁	h ₂	L	E	e	D	J	K	X	Y	A	B	Catalog No.			Stroke	T	Base unit price T=19				
													Type	Air cylinder	Cylinder inner diameter							
250	140	220	310	75	45	52	30	25	33	28	138	110	LTH (Standard size)	S (product of SMC)	40	50	19	Quotation				
																100						
270	160	240	330	90	70	75	35	30	48	32	148	110			CLTH (Compact size)	S (product of SMC)	63		50	19		
																			100			
215	115	185	270	75	45	52	30	25	33	28	138	110					CLTH (Compact size)		S (product of SMC)	40	50	19
																					100	
240	135	210	295	90	70	75	35	30	48	32	148	110	CLTH (Compact size)	S (product of SMC)				63		50	19	
																				100		



Order

Catalog No.

Type Air cylinder Cylinder inner diameter

Stroke - T

LTH S 40 - 100 - T19



Days to Ship

Quotation

Notes for use

- When connecting the air tube to the cylinder, remove any metal dust, cutting oil, dirt, or other substances from inside the tubing in order to prevent them from entering the cylinder. When using seal tape on the threads, leave the first 1.5~2 threads from the tip exposed.
- Ensure that the supplied air remains clean by installing an air filter upstream from the air cylinder.
- Although the cushion is adjusted before shipment, we recommend readjusting it according to the actual load and operation speed. When adjusting the cushion, turn the cushion needle to the right to reduce the aperture and increase the cushioning effect.
- After mounting the lifter unit onto the die, conduct an appropriate function check and verify that the unit is installed correctly.