

## Spring Plungers· long 22070.0312



### Product Description

To be used for ejecting, as a detent, for applying pressure or as a shock element.

#### Material

##### Pin

- Steel, case-hardened, blackened

##### Body

- Stainless steel 1.4305

##### Spring

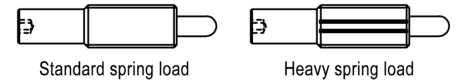
- stainless steel

#### Assembly

Spring plungers can be mounted and removed by means of the slot or internal hexagon. Please use a special assembly tool for mounting with a slot (pin side).

#### Characteristic

Reinforced spring load: marked with two lines



Standard spring load

Heavy spring load

#### More information

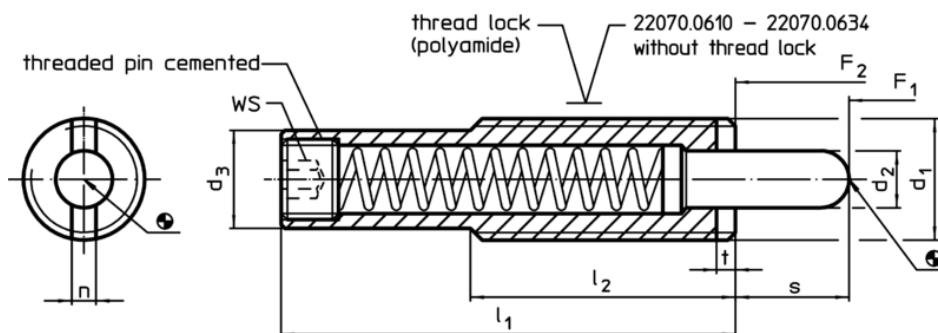
#### Notes

Special types on request.  
Spring plungers are specially tested for spring range and forces.

#### References

Thread lock on request, please refer to appendix - Technical Data -

### Drawing



### Order information

Dimensions							Stroke s	WS	Spring load <sup>1)</sup>		Temperature		Weight	Art. No.
d <sub>1</sub>	d <sub>2</sub>	d <sub>3</sub>	l <sub>1</sub>	l <sub>2</sub>	n	t			F <sub>1</sub>	F <sub>2</sub>	min.	max.		
[mm]							[mm]	[mm]	[N]	[°C]		[g]		
stainless steel, heavy spring load														
M12	5,5	9,5	43	35	2,7	2	10	4	7	46	-30	90	22	22070.0312

<sup>1)</sup> statistical average value

Application example

