

Spring Plungers· long
22070.0508

Product Description

To be used for ejecting, as a detent, for applying pressure or as a shock element.



Material

Pin

- Steel, case-hardened, blackened

Body

- Free cutting steel, blackened

Spring

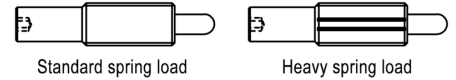
- stainless steel

Assembly

Spring plungers can be mounted and removed by means of the slot or internal hexagon. Please use a special assembly tool for mounting with a slot (pin side).

Characteristic

Reinforced spring load: marked with two lines



More information

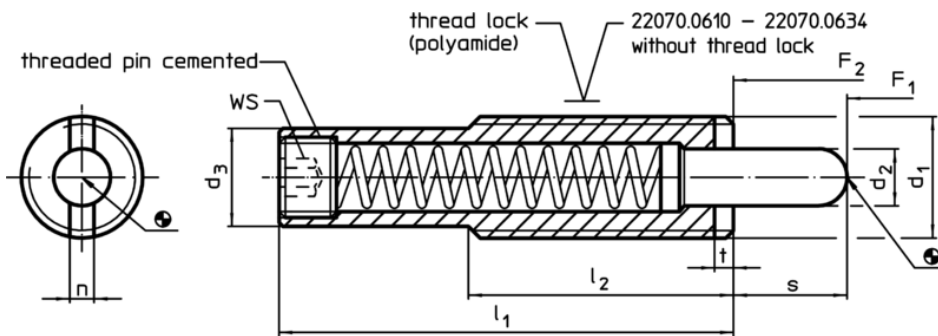
Notes

Special types on request.
Spring plungers are specially tested for spring range and forces.

References

Thread lock on request, please refer to appendix - Technical Data -

Drawing



Order information

Dimensions							Stroke s [mm]	WS [mm]	Spring load ¹⁾		Temperature		Weight [g]	Art. No.
d ₁	d ₂	d ₃	l ₁	l ₂	n	t			F ₁ [N]	F ₂ [N]	min. [°C]	max. [°C]		
body from free cutting steel, heavy spring load														
M10	4	7,8	35	25	1,5	1,4	8	3	12	22	-30	90	13	22070.0508

¹⁾ statistical average value

Application example

